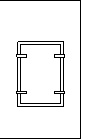
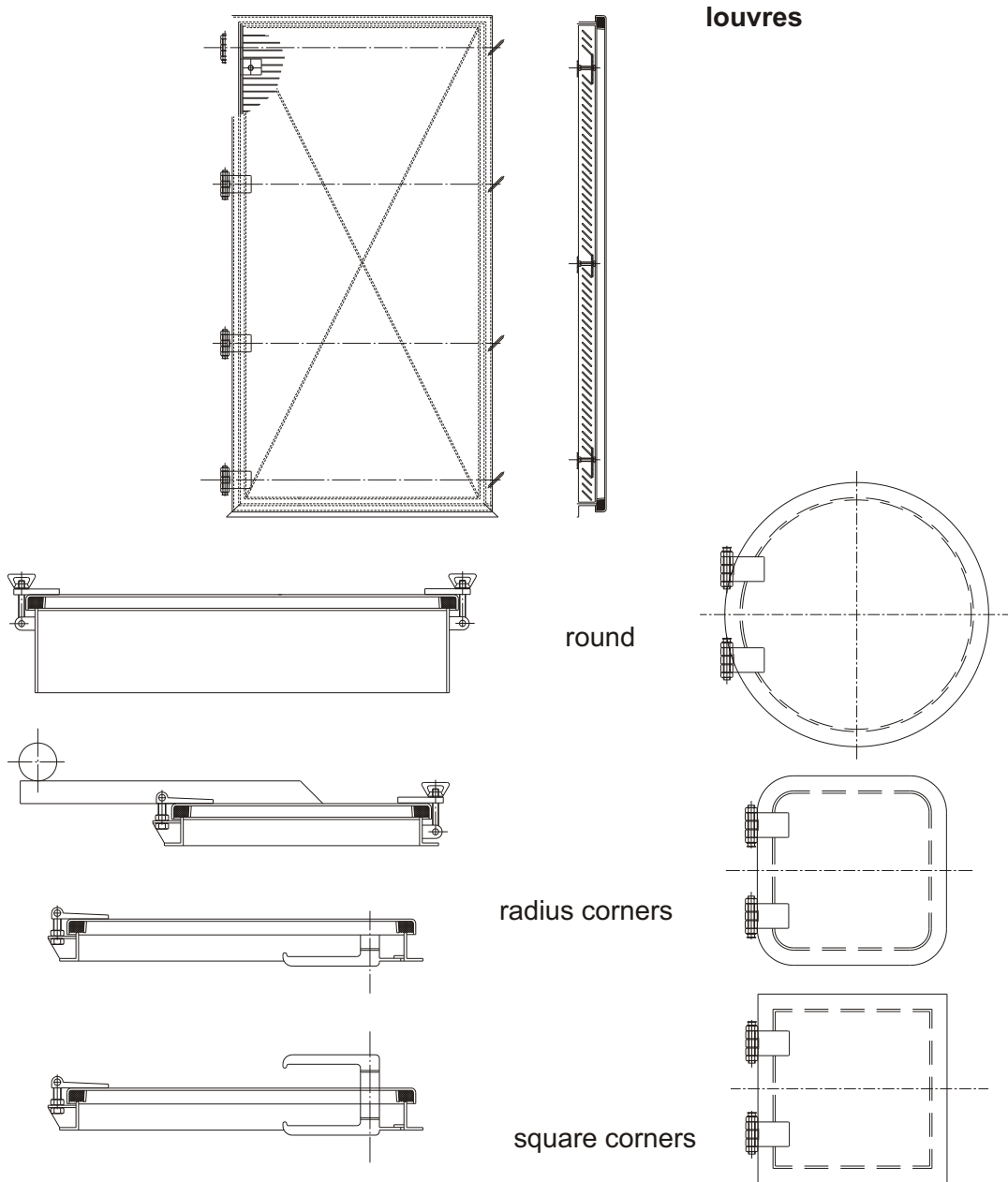


hatches/louvres



Hatches and louvres are manufactured tailor made, below typical executions and details are shown.



Material(s): steel, stainless steel, aluminium
Finishing: upon request