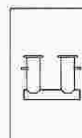
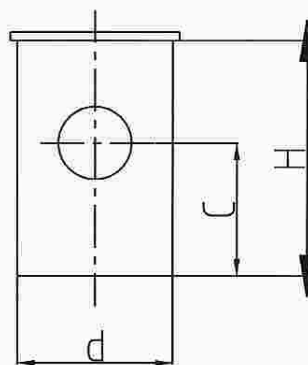
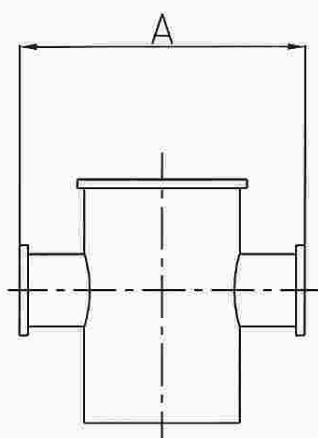


## bollards



BMP delivers a wide range of double and single bollards all to ISO and DIN standard, see draw and tables below.

### single type



Type	Pipe dimensions ( $\phi d \times S$ )	A	C	H
1	168x6,3	300	180	420
2	193,7x8	350	210	450
3	219,1x10	395	230	520
4	273x11	490	300	650
5	323,9x12,5	585	330	720
6	355,6x17,5	640	360	770
7	406,2x20	730	420	870
8	457x22,2	820	460	980
9	508x17,5	930	545	970

Finishing: shotblasted, one layer of shop primer