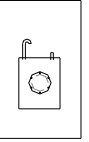




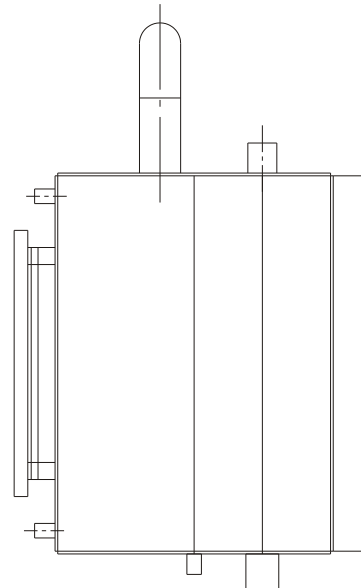
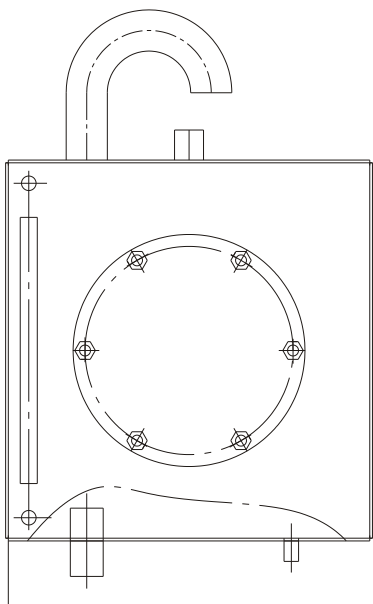
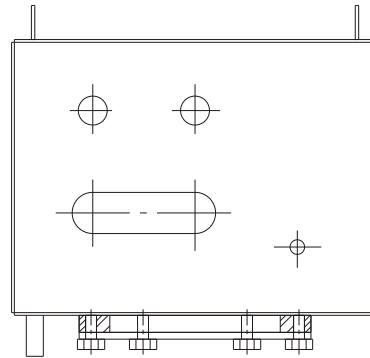
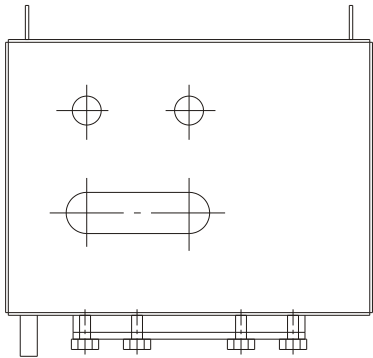
oiltanks



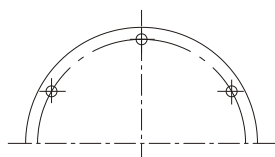
Börger makes oiltanks and expansion customers request and specifications. We have experience in tanks from 35 up to 7000 ltrs.

Pressure testing is a standard procedure for our tanks.

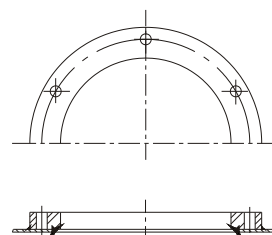
On request we can deliver our tanks with quality certificates, such as test certificates and material certificates.



cover detail



flange detail



Finishing: * inside - pickled,
* outside- shotblasted, one layer of shop primer