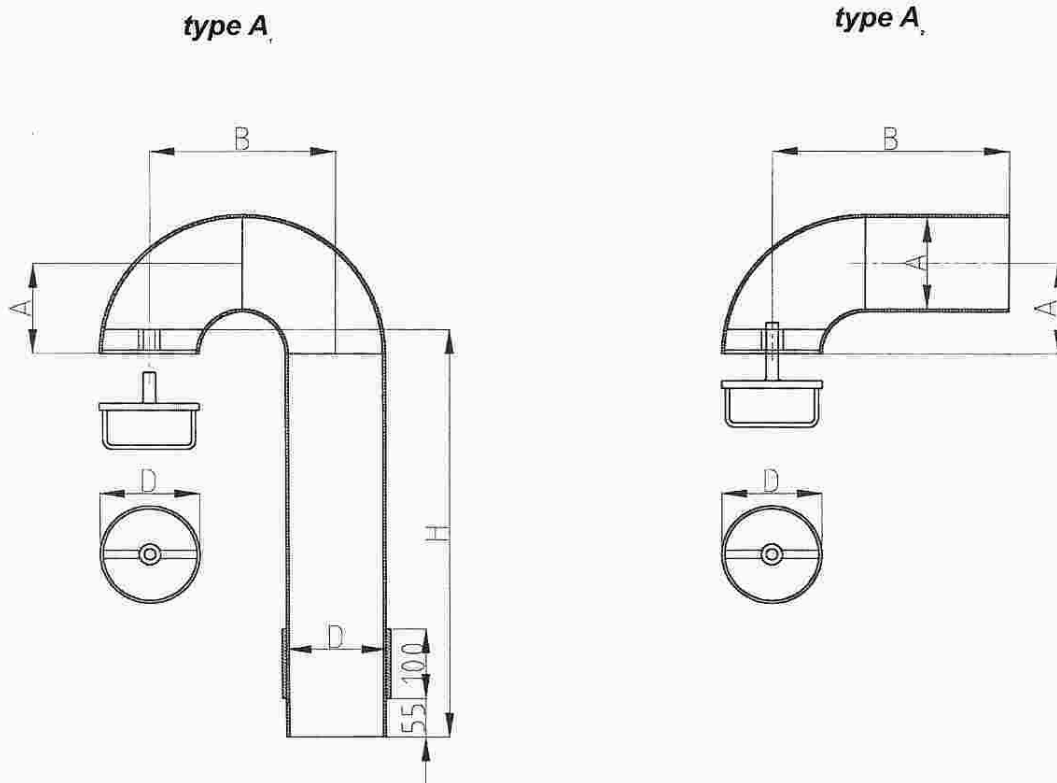


ventilation bends



Ventilation bends are available in a wide range of measurements. All types come complete with gasket and hot dipped galvanize finish is standard.



Type	D	A	B	H	Area [cm ²]
ND100	114,3x4,5	135	235	800	88
ND125	139,7x5,6	145	290	800	130
ND150	168,3x4,5	155	300	800	176
ND175	193,7x5,6	170	350	800	250
ND200	219,1x5	185	400	800	339
ND250	273x6,3	210	520	800	502
ND300	323,9x8	235	640	800	716
ND350	355,6x8	260	730	800	973
ND400	406x8,8	285	840	800	1288
ND450	457x10	310	900	800	1527

Finishing: shotblasted, one layer of shop primer